

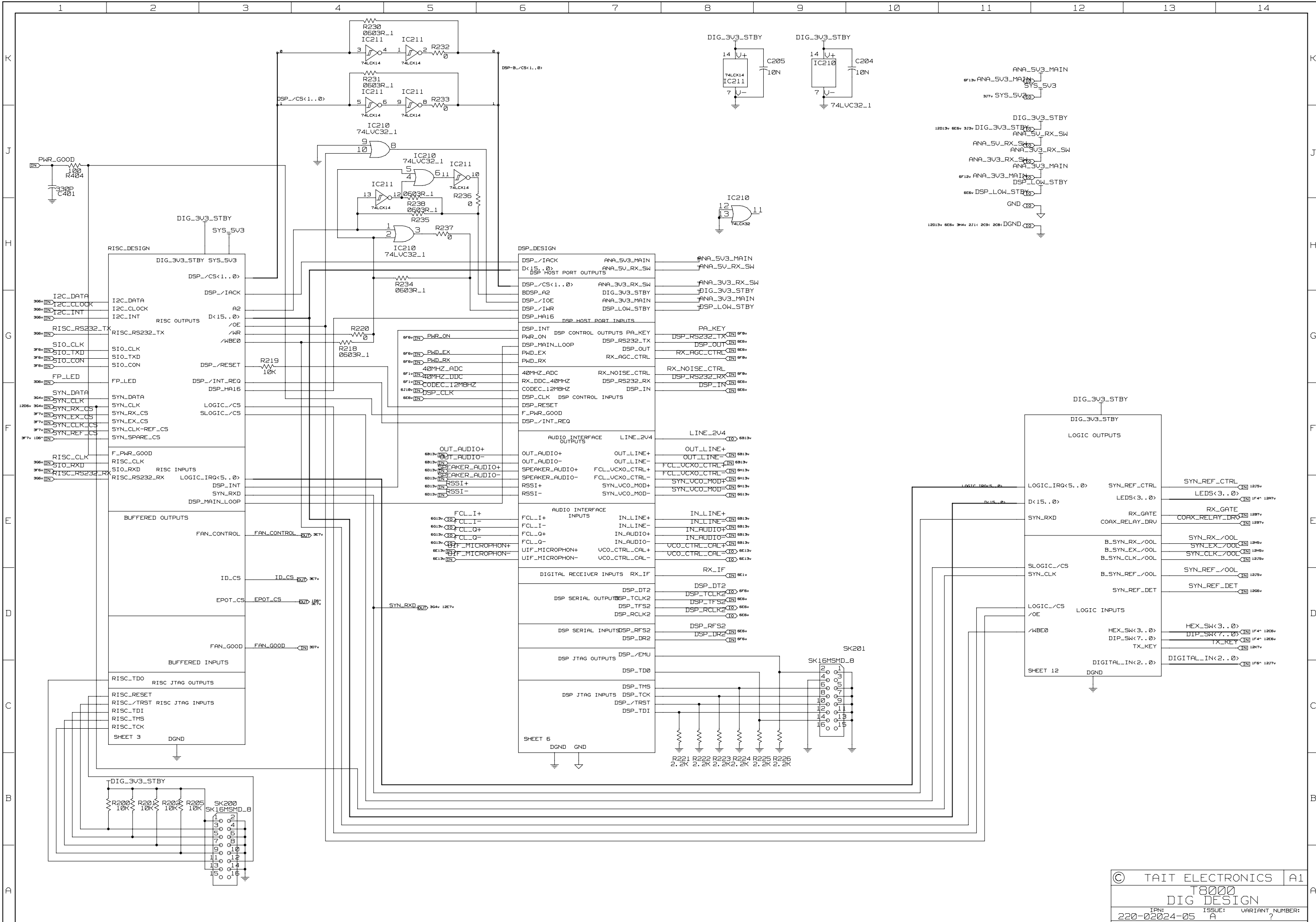
REV/ISS	AMENDMENTS	DRAWN	CHKD	D. O.	APVD	DATE
1						

© TAIT ELECTRONICS A1

RECITER CONTROL

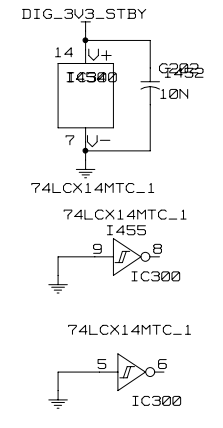
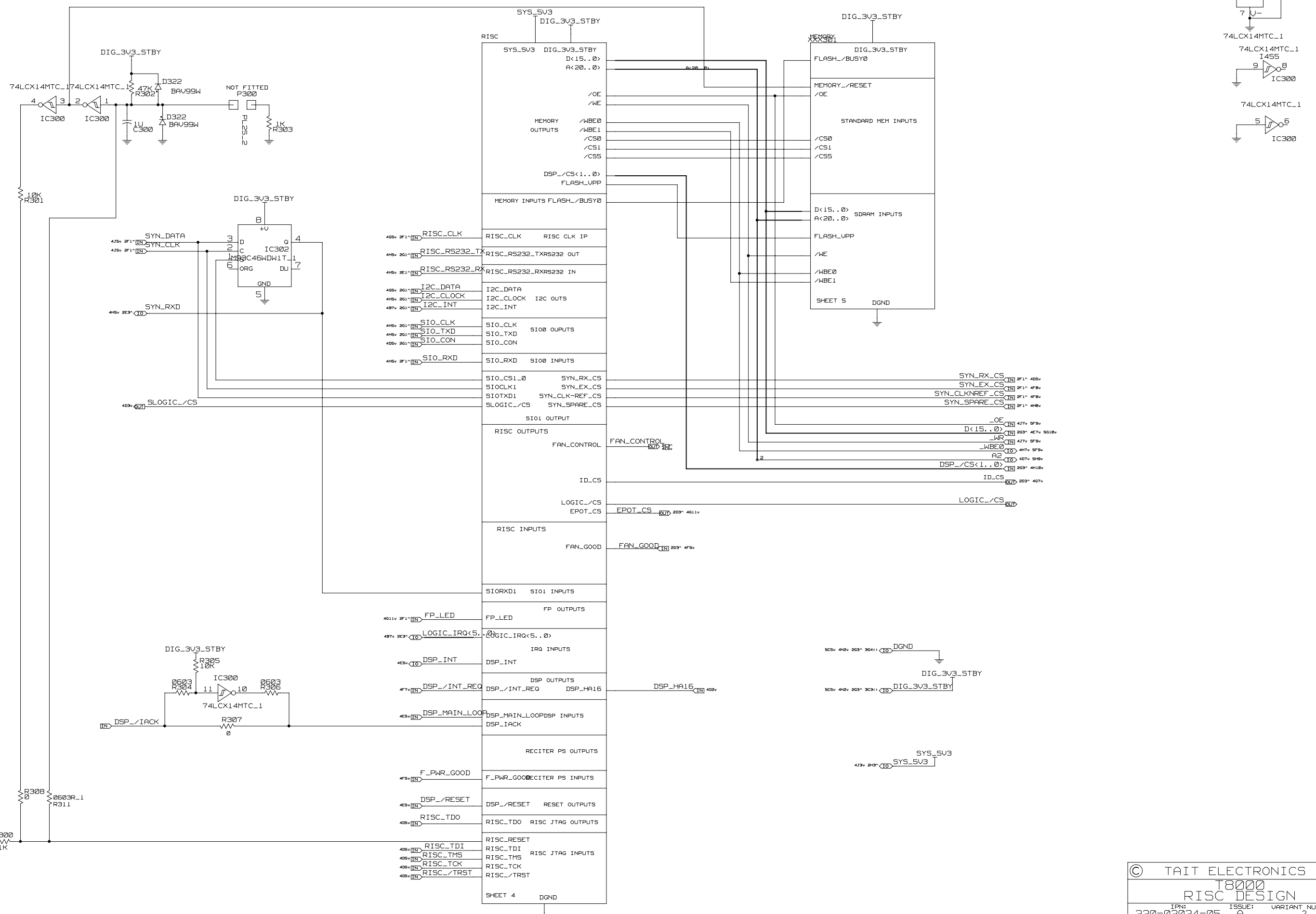
IPN: 220-02024-05 A ISSUE: VARIANT_NUMBER: ?

ENGINEER: FILE NAME: DATE: SHEET NUMBER: MN SH 220_02024 10/9/02 1 of 18

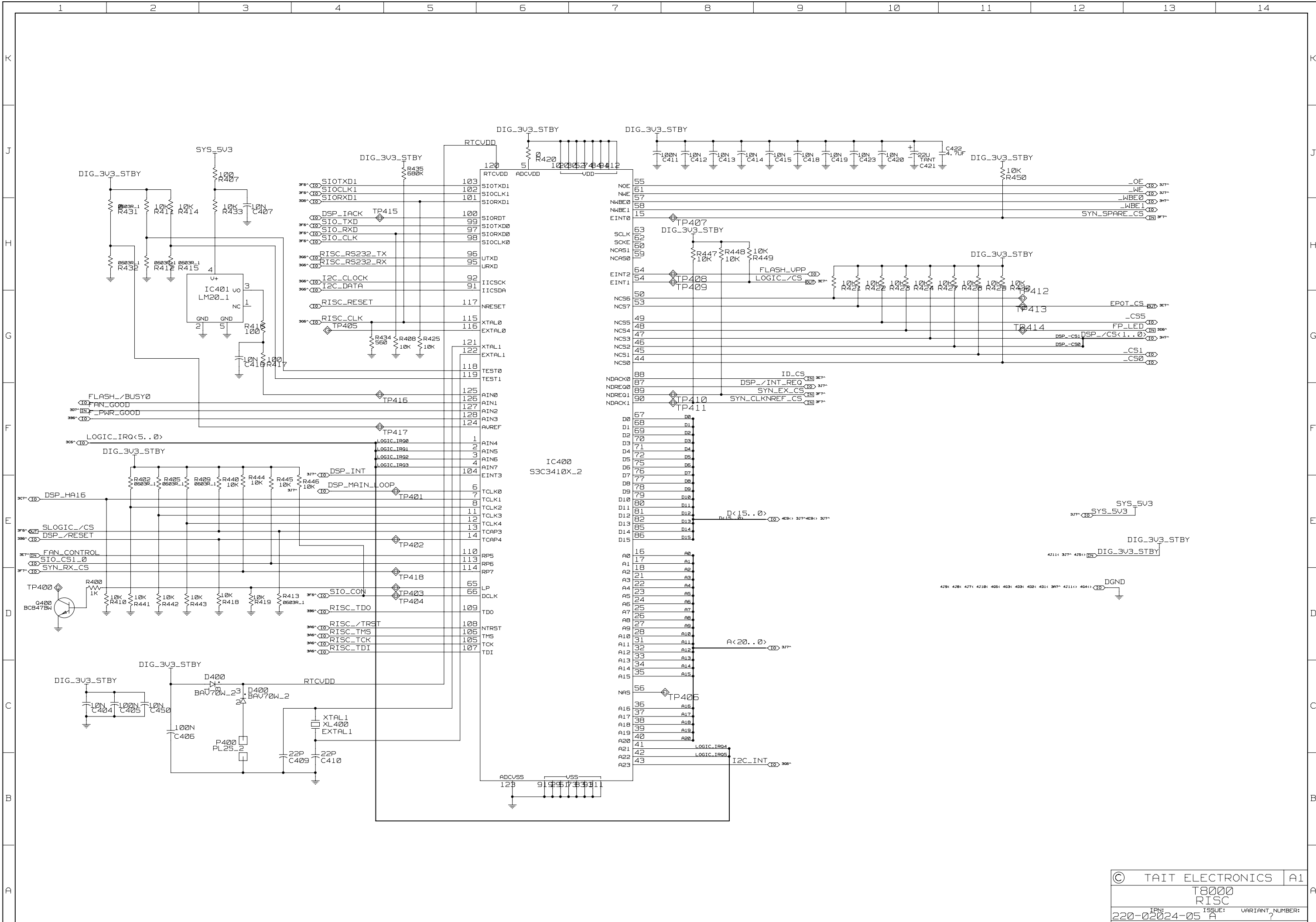


© TAIT ELECTRONICS | A1
 T8000
 DIG DESIGN
 IPN: 220-02024-05 | ISSUE: A | VARIANT NUMBER: ?
 ENGINEER: FILE NAME: | FILE DATE: 10/9/02 | SHEET NUMBER: 2 OF 18

REV/ISS	AMENDMENTS	DRAWN	CHKD	D.O.	APVD	DATE
1						



REV/ISS	AMENDMENTS	DRAWN	CHKD	D.O.	APVD	DATE
1						



K

J

H

G

F

E

D

C

B

A

K

J

H

G

F

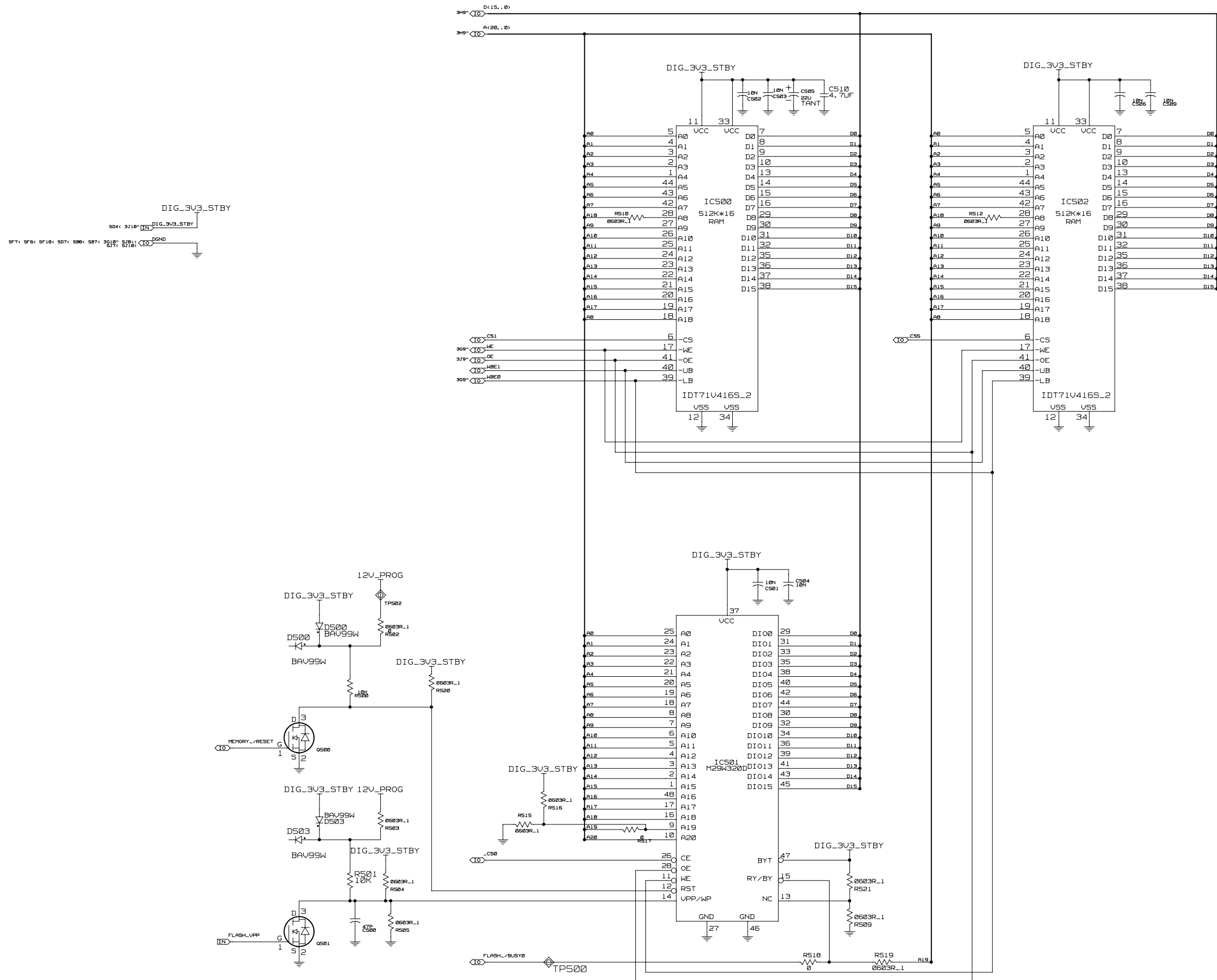
E

D

C

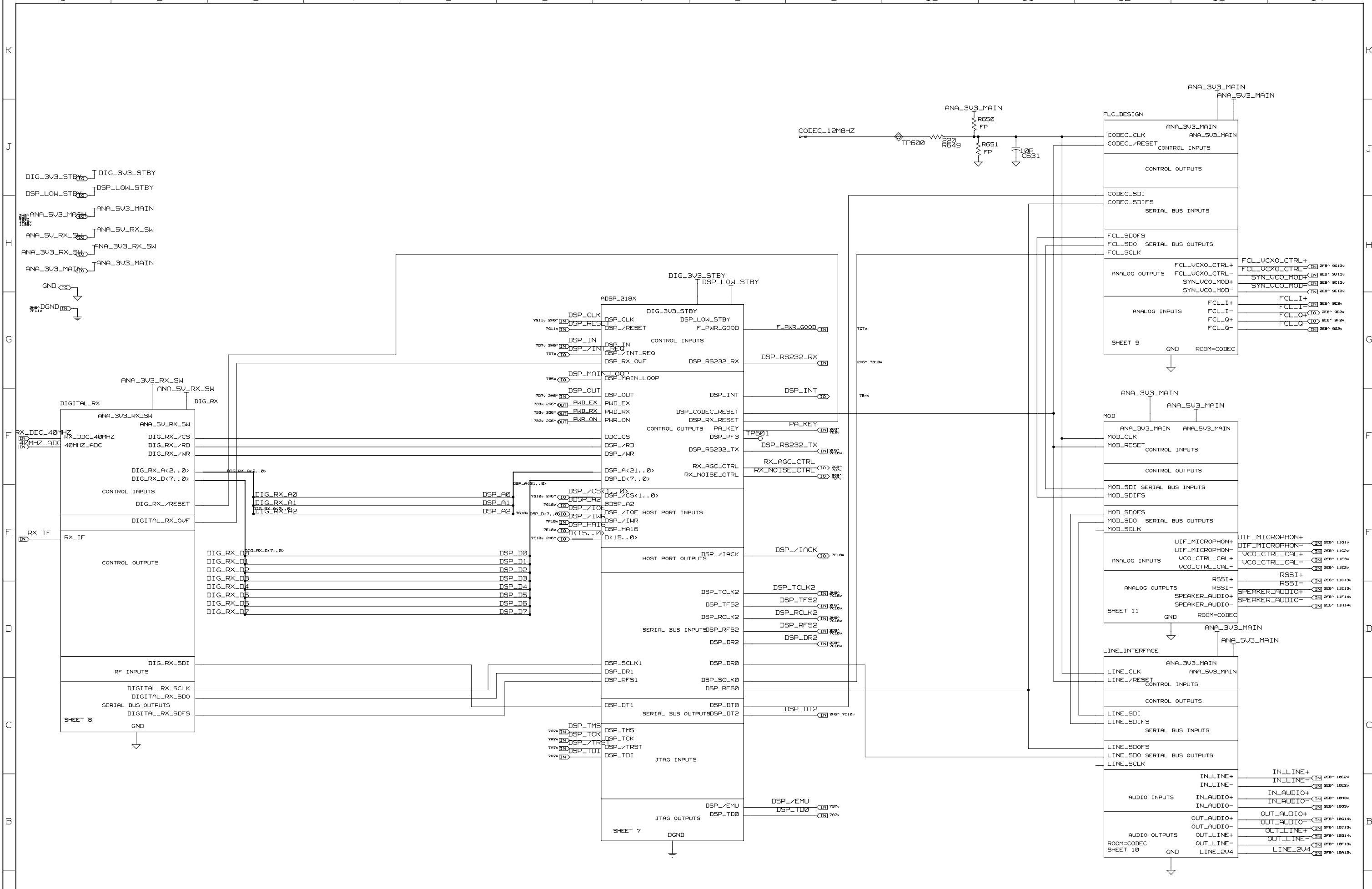
B

A



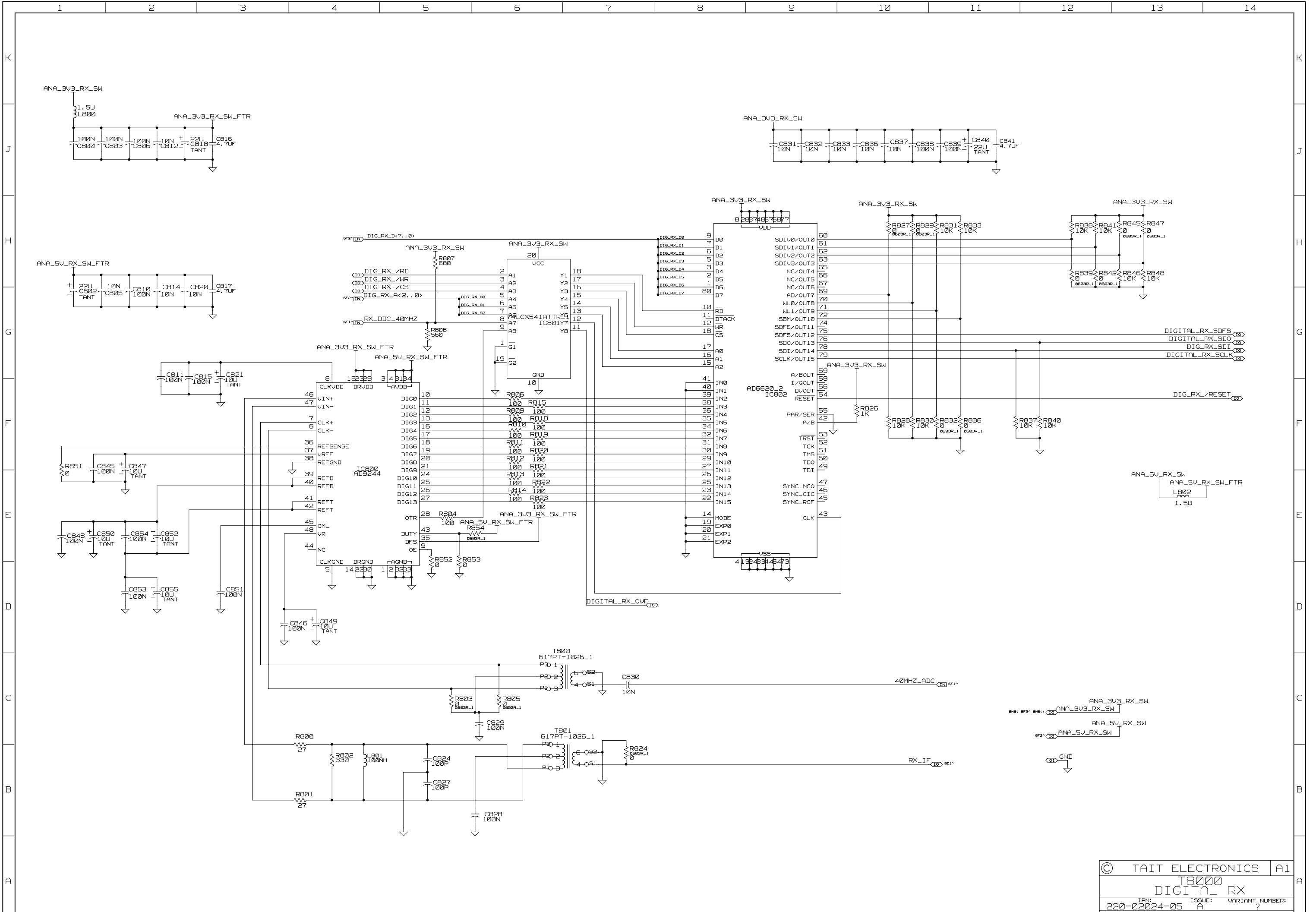
© TAIT ELECTRONICS		A1
T8000 MEMORY		
IPN: 220-02024-05	ISSUE: A	VARIANT NUMBER: ?
ENGINEER: MN	FILE NAME: 220-02024	FILE DATE: 10/9/02
		SHEET NUMBER: 5 of 18

REV/ISS	AMENDMENTS	DRAWN	CHKD	D. O.	APVD	DATE
1						



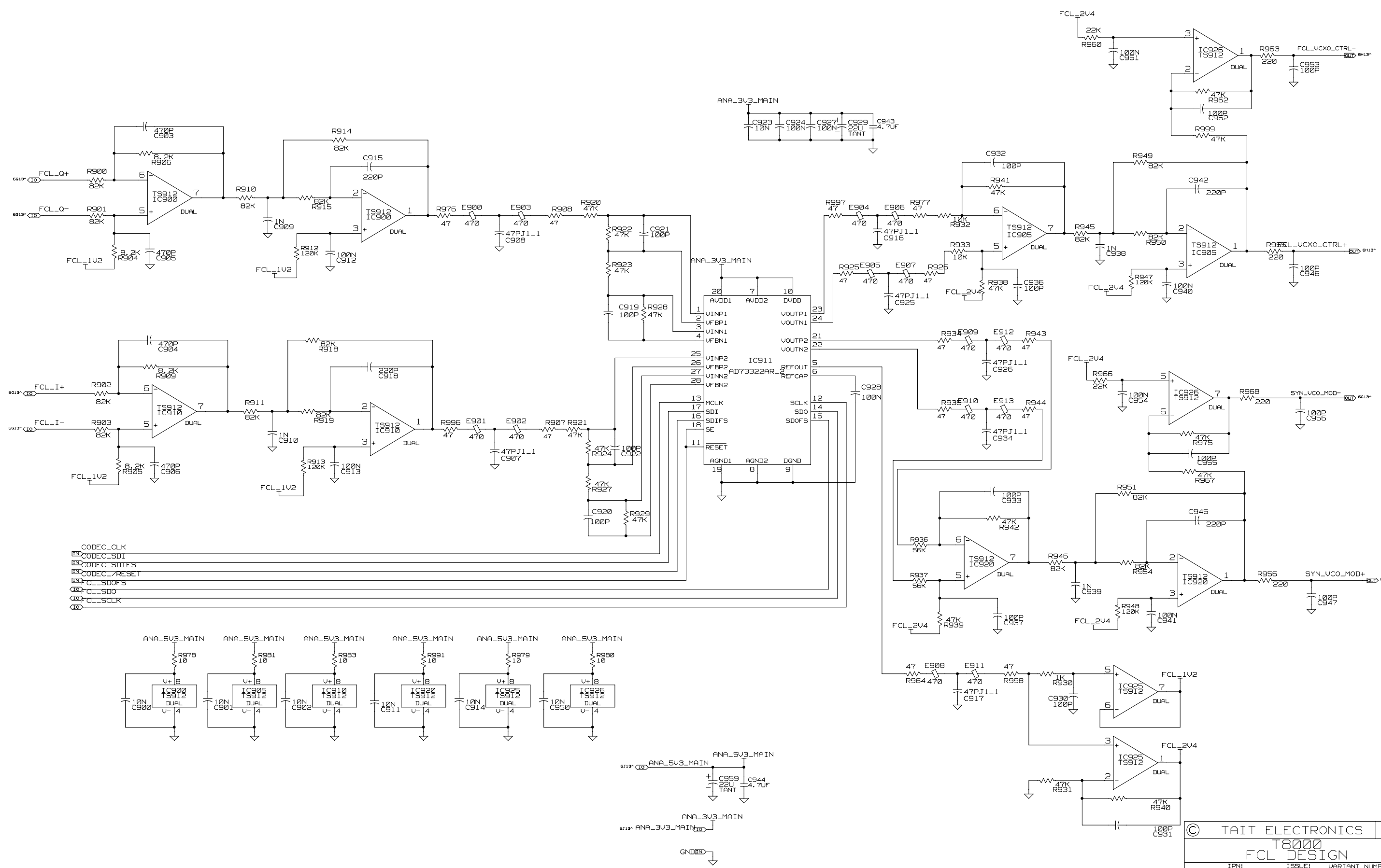
© TAIT ELECTRONICS A1
 T8000
 DSP DESIGN
 IPN: 220-02024-05 ISSUE: A VARIANT NUMBER: ?
 ENGINEER: FILE NAME: FILE DATE: SHEET NUMBER:
 MN 220_02024 10/9/02 6 OF 18

REV/ISS	AMENDMENTS	DRAWN	CHKD	D.O.	APVD	DATE
1						



© TAIT ELECTRONICS		A1
T8000 DIGITAL RX		
IPN: 220-02024-05	ISSUE: A	VARIANT NUMBER: ?
ENGINEER: MN SH	FILE NAME: 220_0204	FILE DATE: 10/9/02
		SHEET NUMBER: 8 of 18

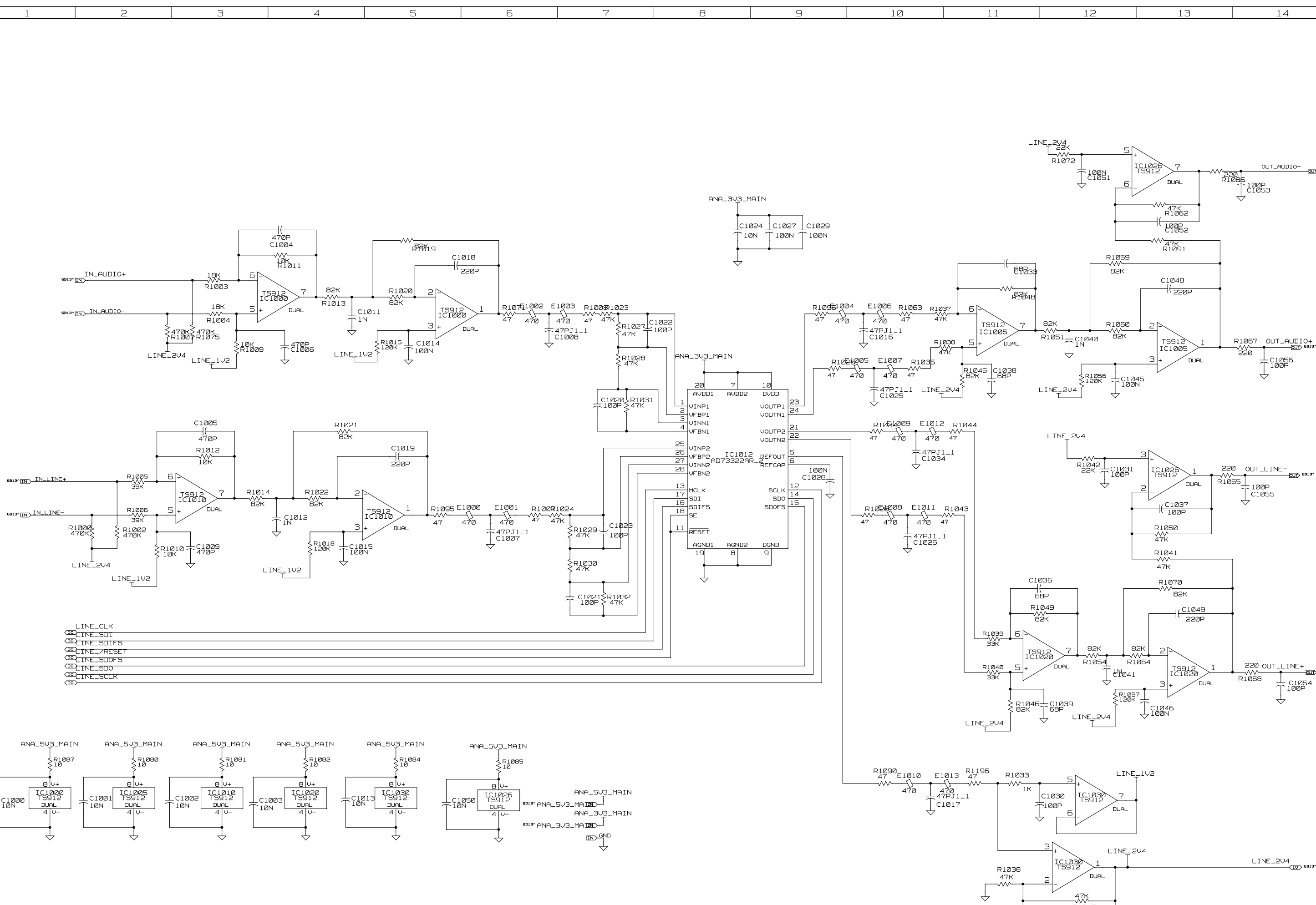
REV/ISS	AMENDMENTS	DRAWN	CHKD	D.O.	APVD	DATE
1						



- CODEC_CLK
- CODEC_SDI
- CODEC_SDOFS
- CODEC_RESET
- CL_SDOFS
- CL_SDO
- CL_SCLK

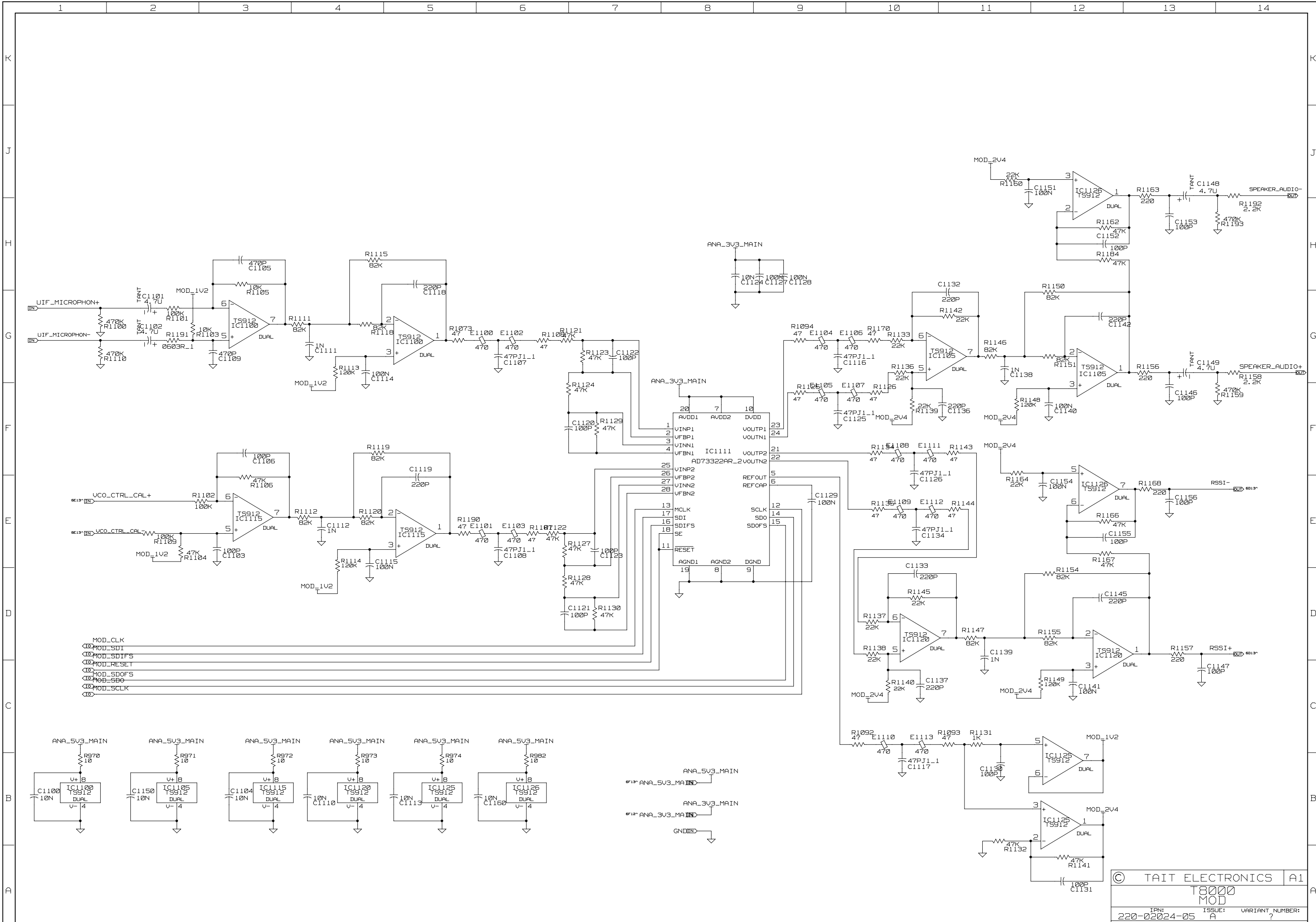
© TAIT ELECTRONICS A1
T8000
FCL DESIGN
 IPN: 220-02024-05 ISSUE: A VARIANT NUMBER: ?
 ENGINEER: FILE NAME: 220_02024_10/9/02 SHEET NUMBER: 9 OF 18

REV/ISS	AMENDMENTS	DRAWN	CHKD	D.O.	APVD	DATE
1						



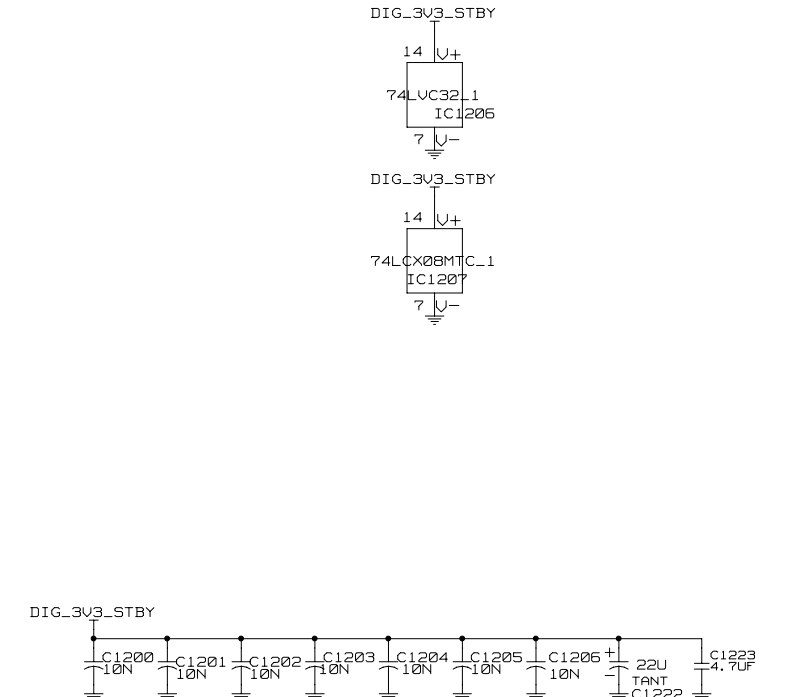
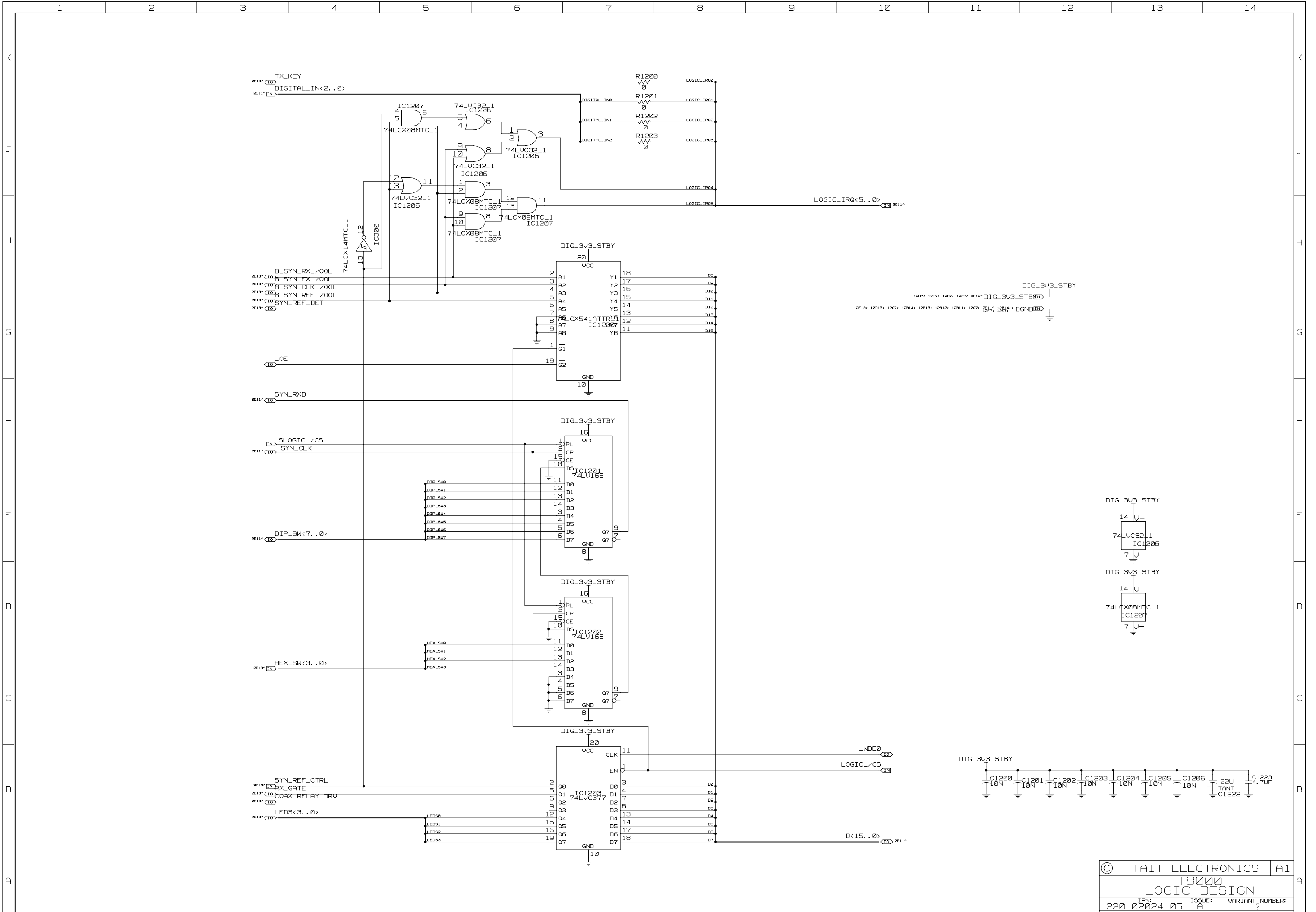
© TAIT ELECTRONICS A1
 T8000
 LINE INTERFACE
 IPN: 220-02024-05 ISSUE: A VARIANT NUMBER: ?
 ENGINEER: FILE NAME: DATE: SHEET NUMBER:
 MN 220_02024 10/9/02 10 of 18

REV/ISS	AMENDMENTS	DRAWN	CHKD	D.O.	APVD	DATE
1						



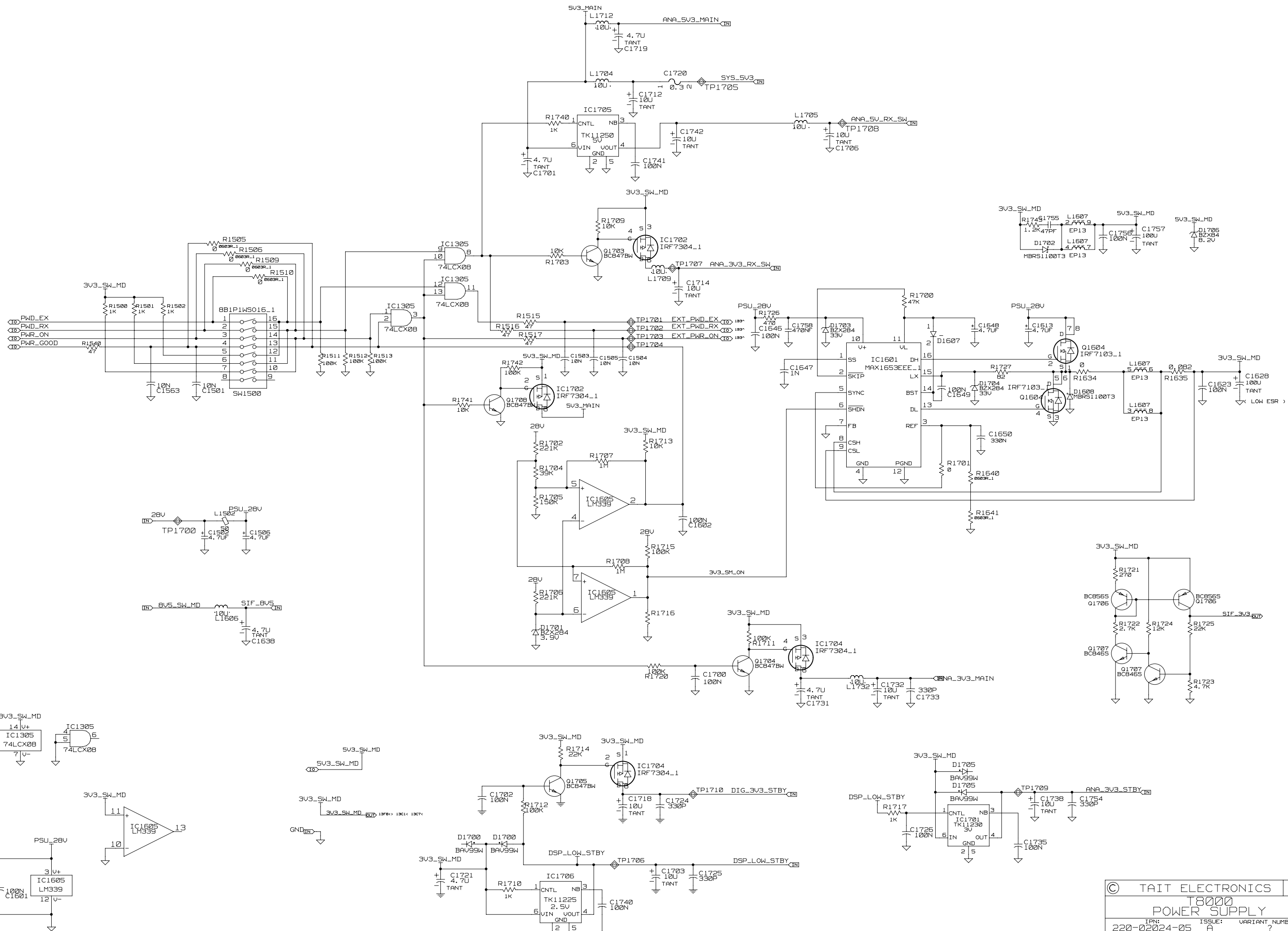
© TAIT ELECTRONICS A1
 T800
 MOD
 IPN: 220-02024-05 ISSUE: A VARIANT NUMBER: ?
 ENGINEER: FILE NAME: FILE DATE: SHEET NUMBER:
 MN SH 220_02024 10/9/02 11 of 18

REV/ISS	AMENDMENTS	DRAWN	CHKD	D.O.	APVD	DATE
1						



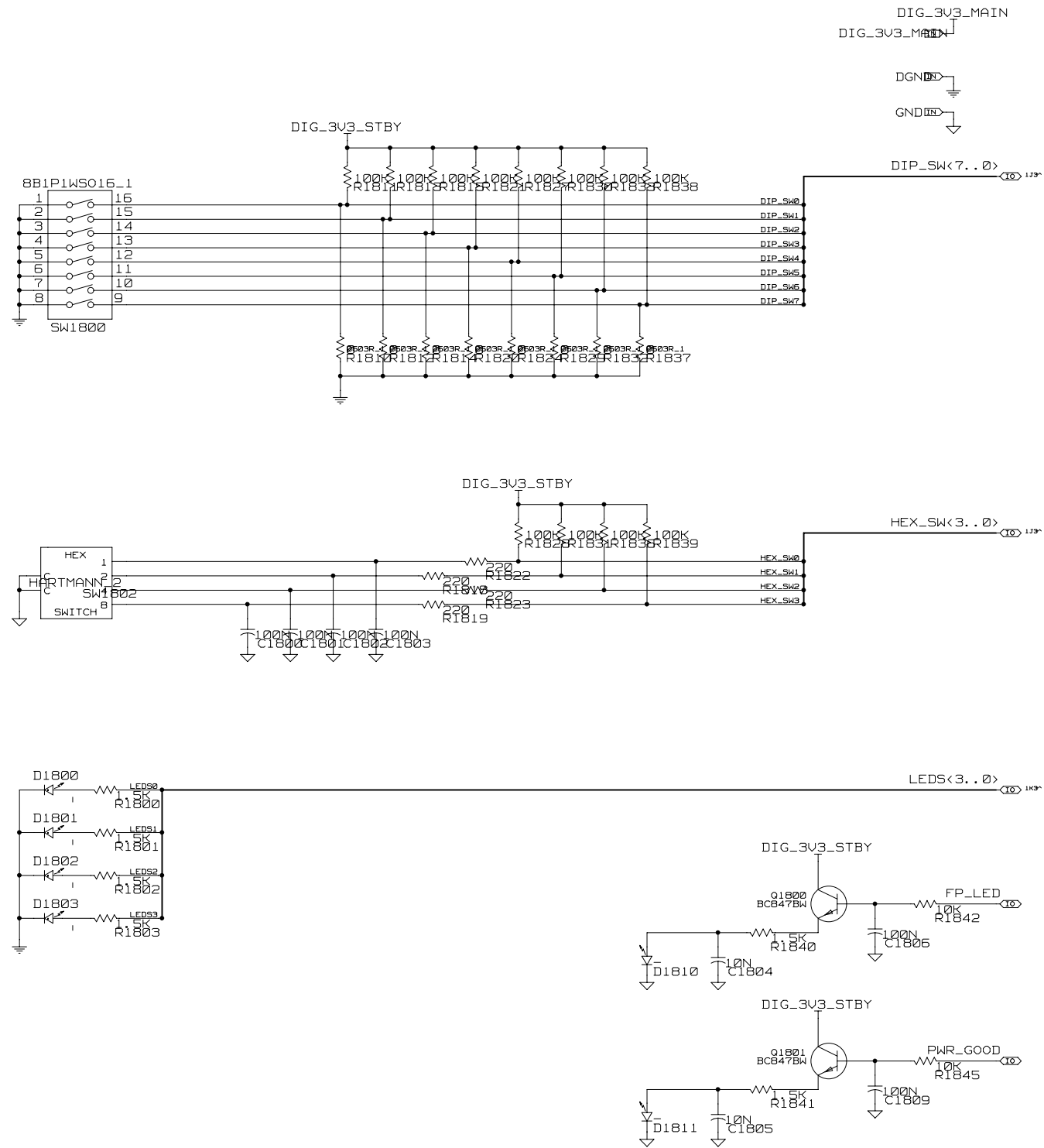
© TAIT ELECTRONICS A1
T8000
LOGIC DESIGN
IPN: 220-02024-05 ISSUE: A VARIANT NUMBER: ?
ENGINEER: MN FILE NAME: 220-02024_10/9/02 SHEET NUMBER: 12 OF 18

REV/ISS	AMENDMENTS	DRAWN	CHKD	D.O.	APVD	DATE
1						

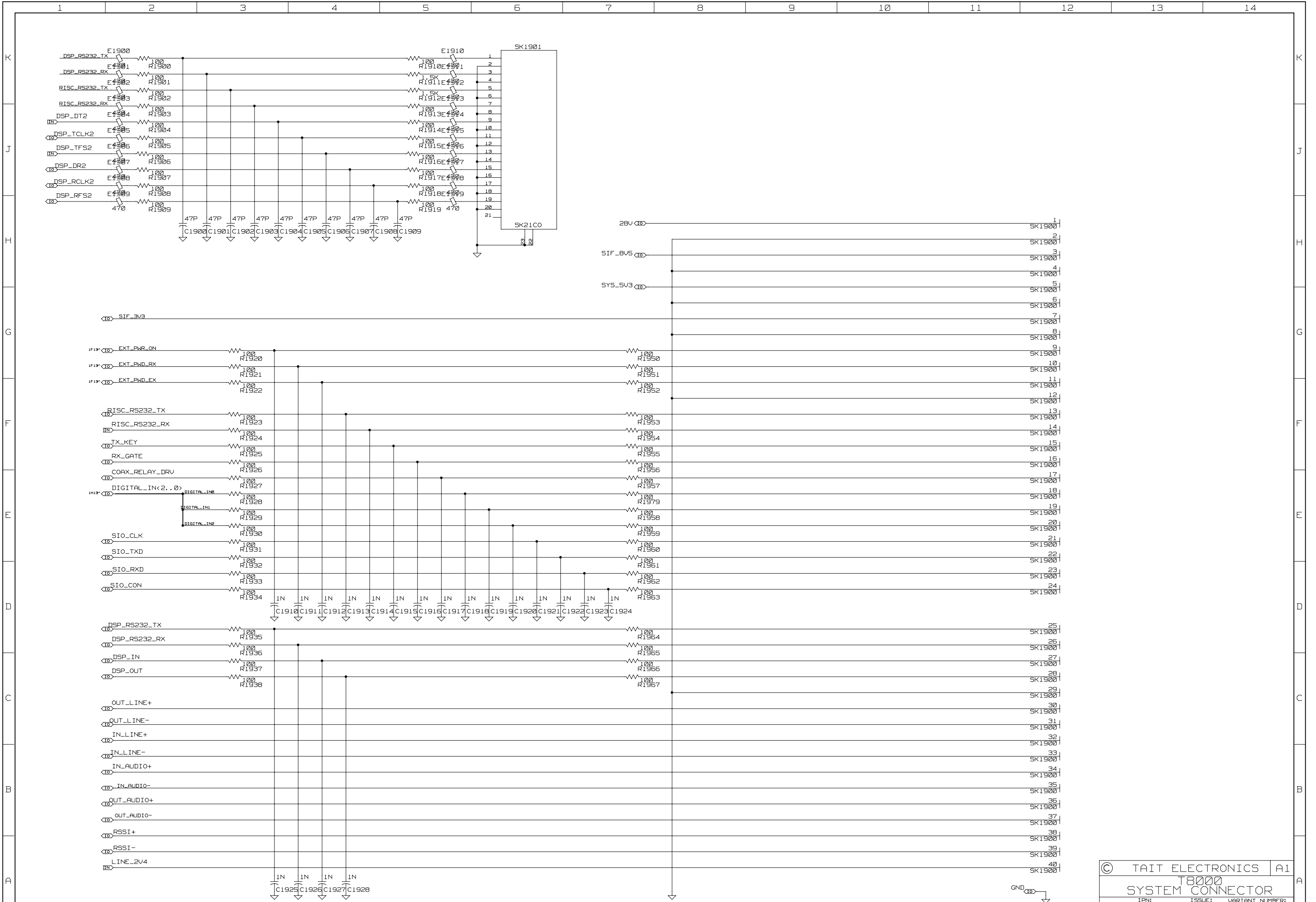


© TAIT ELECTRONICS A1
T8000
POWER SUPPLY
 IPN: 220-02024-05 ISSUE: A VARIANT NUMBER: ?
 ENGINEER: FILE NAME: FILE DATE: SHEET NUMBER:
 MN SH 220-02024 10/9/02 13 OF 18

REV/ISS	AMENDMENTS	DRAWN	CHKD	D.O.	APVD	DATE
1						

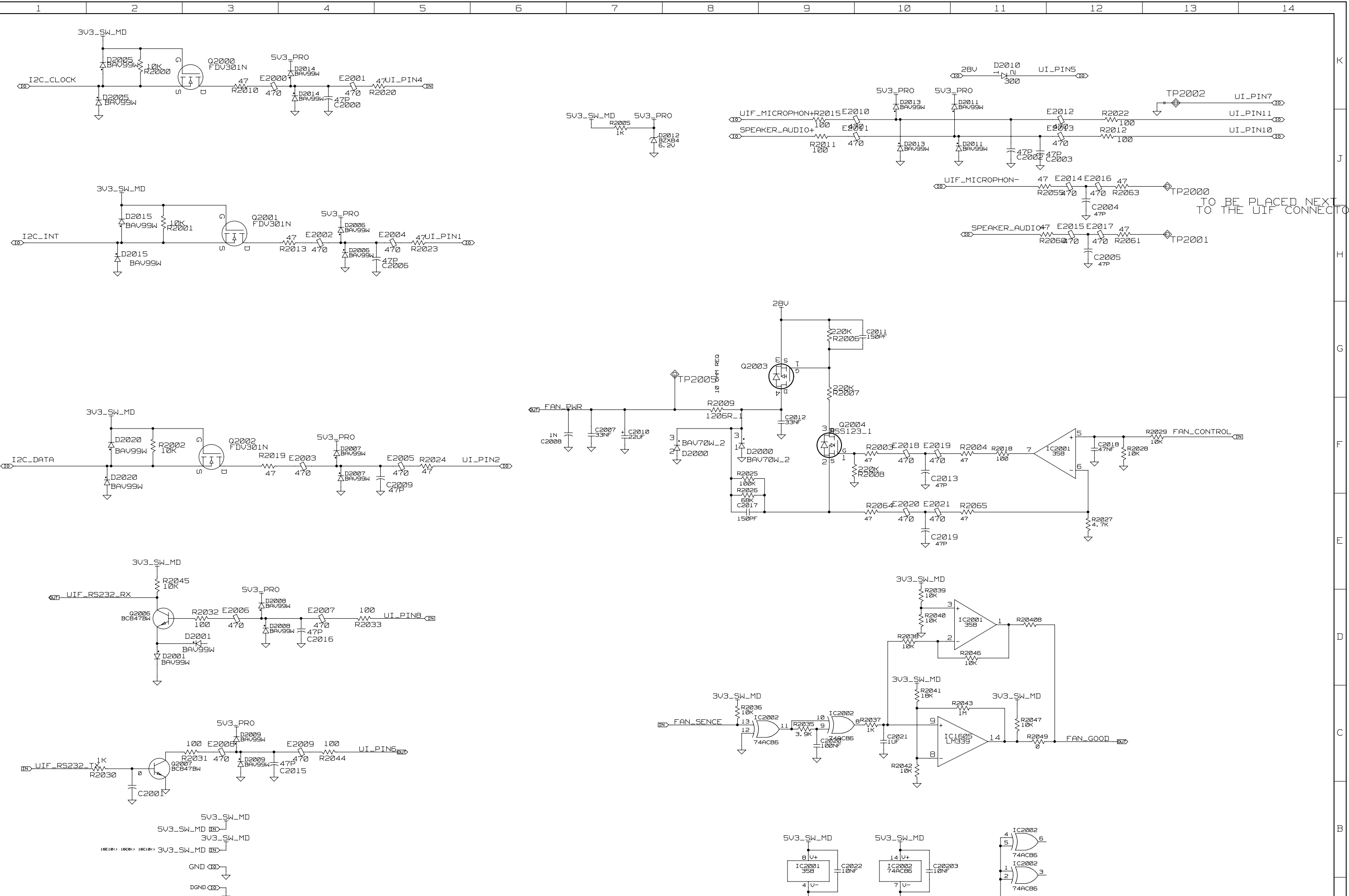


REV/ISS	AMENDMENTS	DRAWN	CHKD	D.O.	APVD	DATE
1						
2						
3						
4						
5						
6						
7						
8						
9						
10						
11						
12						
13						
14						



© TAIT ELECTRONICS		A1
T8000		
SYSTEM CONNECTOR		
IPN:	ISSUE:	VARIANT NUMBER:
220-02024-05	A	?
ENGINEER:	FILE NAME:	FILE DATE:
MN SH	220_02024	10/9/02
SHEET NUMBER:	15 of 18	

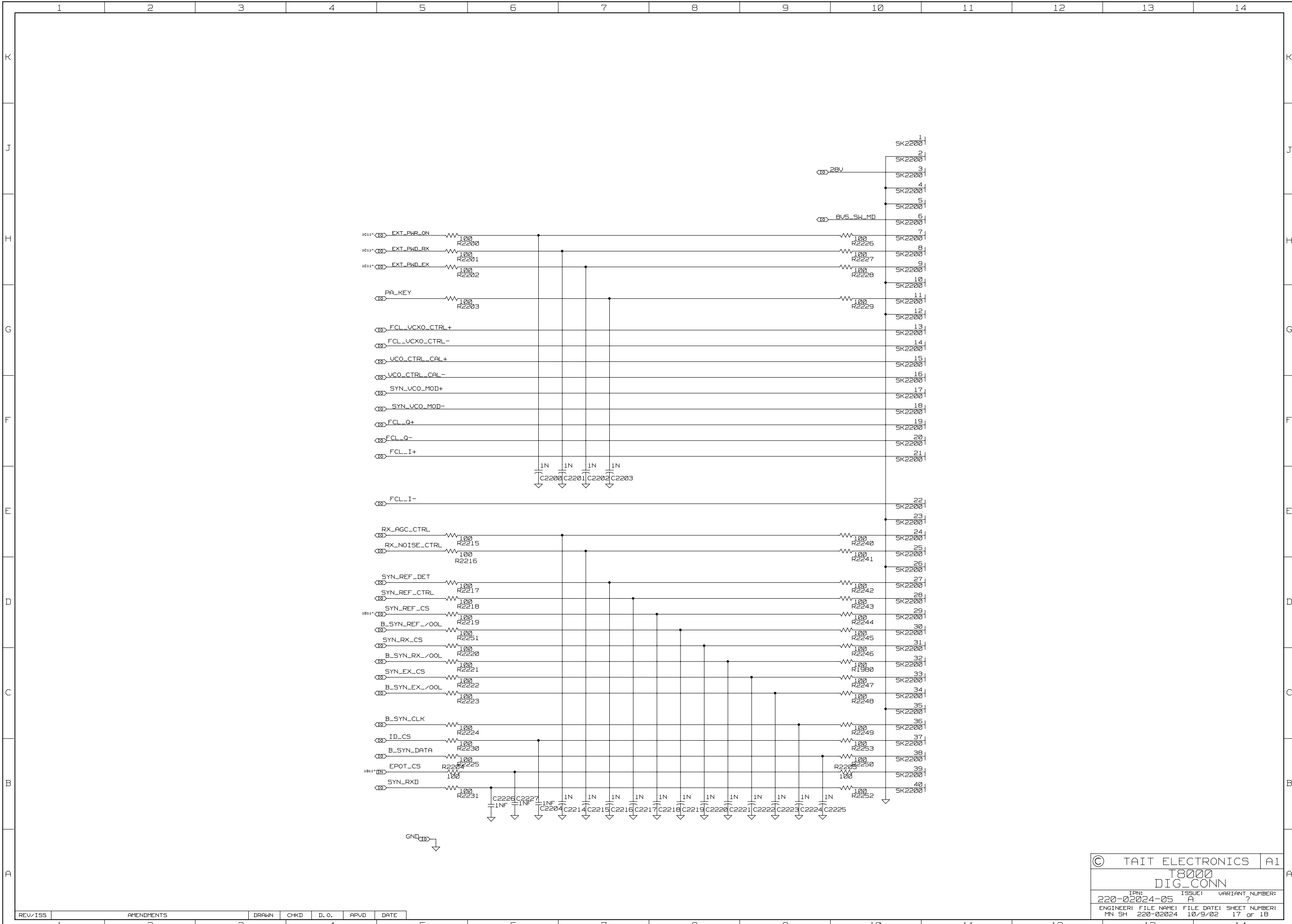
REV/ISS	AMENDMENTS	DRAWN	CHKD	D.O.	APVD	DATE
1						



TO BE PLACED NEXT TO THE UIF CONNECTOR

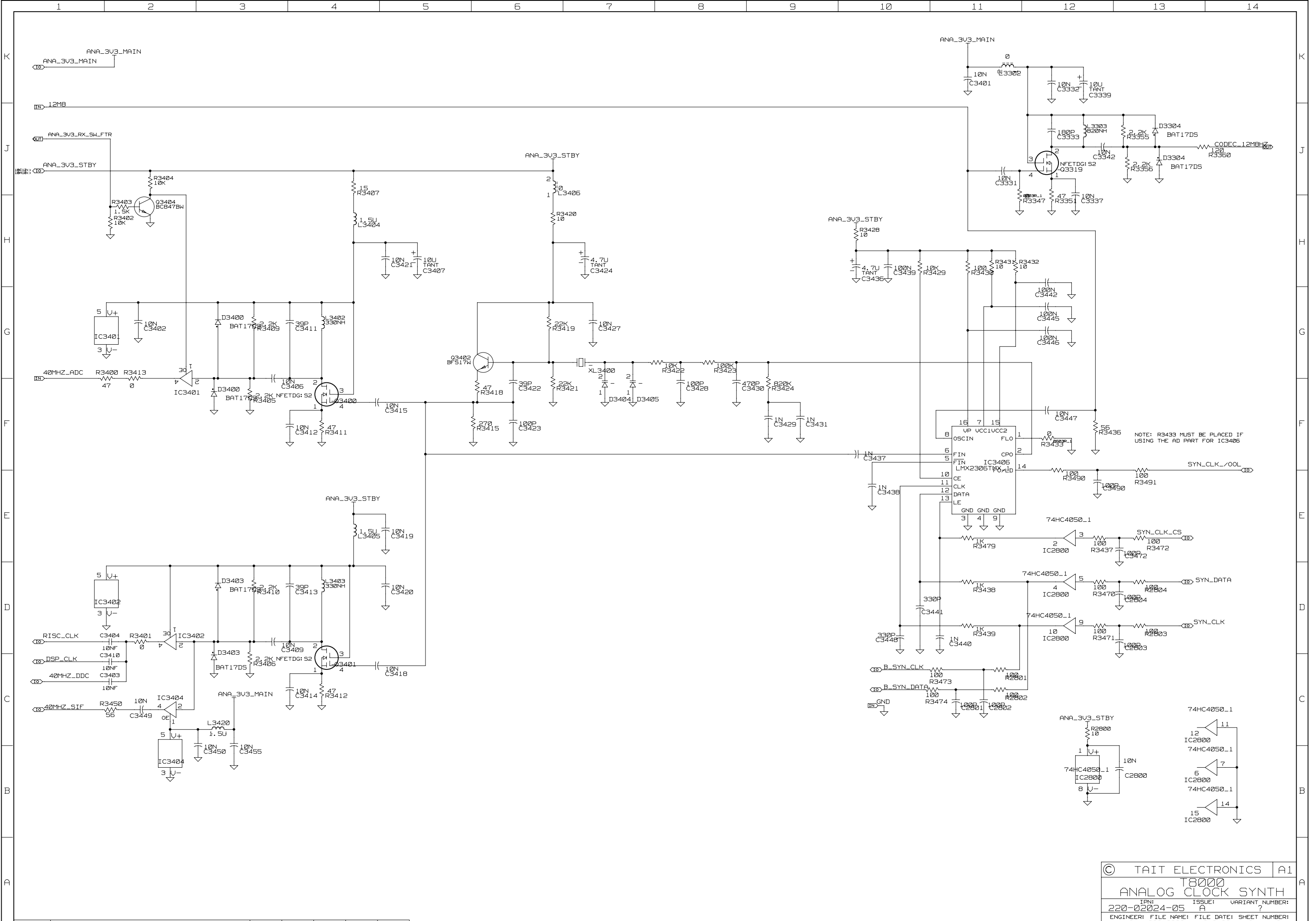
© TAIT ELECTRONICS		A1
T800		
FILE		
IPN: 220-02024-05	ISSUE: A	VARIANT_NUMBER: ?
ENGINEER: FILE NAME: FILE DATE: SHEET NUMBER: MN SH 220_02024 10/9/02 15 of 18		

REV/ISS	AMENDMENTS	DRAWN	CHKD	D.O.	APVD	DATE
1						



© TAIT ELECTRONICS		A1
T8000		
DIG_CONN		
IPN:	ISSUE:	VARIANT NUMBER:
220-02024-05	A	?
ENGINEER:	FILE NAME:	FILE DATE:
MN SH	220-02024	10/9/02
		SHEET NUMBER:
		17 of 18

REV/ISS	AMENDMENTS	DRAWN	CHKD	D.O.	APVD	DATE
1						



© TAIT ELECTRONICS | A1
 T8000
 ANALOG CLOCK SYNTH
 IPN: 220-02024-05 ISSUE: A VARIANT NUMBER: ?
 ENGINEER: FILE NAME: FILE DATE: SHEET NUMBER:
 MN SH 220-02024 10/9/02 18 OF 18

REV/ISS	AMENDMENTS	DRAWN	CHKD	D.O.	APVD	DATE
1						